

SPECIFICATIONS

CHASSIS: INTL 7400 SFA 4-DR 4X4
 ENGINE: IH 330 HP
 TRANSMISSION: ALLISON 3000 EVS P AUTO
 FRONT AXLE: MERITOR MX-12-120 12,000
 REAR AXLE: MERITOR RS-23-160 23,000
 PUMP: HAILE QF10-125 1250 GPM SINGLE STAGE
 WATER TANK: 500 GALLON UPF POLY IIR W/30 FOAM

COMPARTMENT SIZE

(A): 62"H X 36 3/4"W X 24"/12"D
 (B): 29 1/2"H X 56"W X 12"D
 (C): 40"H X OPEN THRU X 20"D

DOOR OPENING

(A): 61"H X 36"W
 (B): 27 1/2"H X 56"W
 (C): 28"H LESS LIFT BAR HEIGHT X 45 1/2"W

DISCHARGES

(2) 2 1/2" LEFT SIDE
 (1) 4" & (1) 2 1/2" RIGHT SIDE
 (1) 2 1/2" REAR, LEFT SIDE
 (1) 3" DECK GUN
 (2) 1 3/4" CROSSLAY
 (1) 1" BOOSTER REEL

**PLEASE REVIEW AND RETURN
 A SIGNED COPY.**

NAME: _____
 TITLE: _____
 DATE: _____

CUSTOMER PAINT CODES:

LOWER CAB AND BODY: _____
CAB TWO TONE: _____

**THIS DRAWING IS A GENERAL CONFIGURATION AND MAY NOT
 NECESSARILY REFLECT ALL CONTRACTUAL REQUIREMENTS.**

C	9-20-05	REVISED	C.A.
B	8-23-05	REVISED	C.A.
A		PROPOSAL	
SYM	DATE	REVISION DESCRIPTION	APP'D

SALES ENGINEER : CATHERINE ARTHUR

KOVATCH MOBILE EQUIPMENT
 ONE INDUSTRIAL COMPLEX
 RESQUOENING, PA 18240

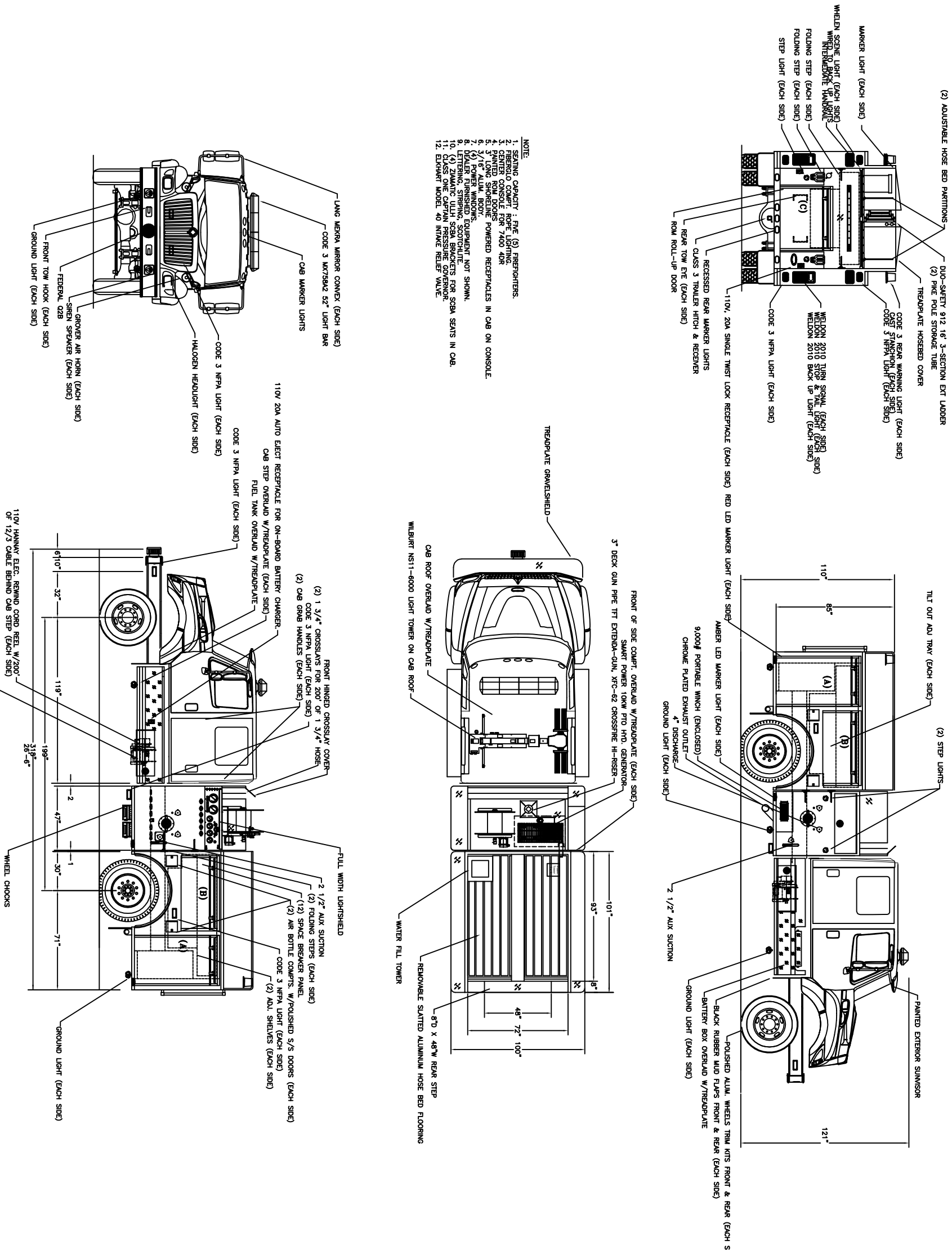
TOLERANCE UNLESS OTHERWISE SPECIFIED
 DECIMALS ±.080 FRACTIONS ±1/8"
 ONE PLACE ±.080 THREE PLACE ±.010 REMOVE ALL ZEROS
 TWO PLACE ±.030 ANGLES ±.2° AND SHARP EDGES

DATE 6-28-06 SCALE NONE DRAWN BY J.J.M. APPROVED BY C.A.

KME COMMERCIAL INTERFACE

SHAFTON, PA

GSO#6368



- NOTE:**
- SEATING CAPACITY : FIVE (5) FIREFIGHTERS.
 - FIREFIGHT COMP. ROPE LIGHTING.
 - PAINTED ROW DOORS.
 - PAINTED ROW DOORS.
 - LONG SHORLINE POWERED RECEPTACLES IN CAB ON CONSOLE.
 - 3/16" ALUM. BODY.
 - 3/4" REAR WHEELS.
 - DEALER FURNISHED EQUIPMENT NOT SHOWN.
 - LETTERING, STRIPPING, SCOTCHGLUE.
 - ZUMMATIC ULLH SEGA BRACKETS FOR SEGA SEATS IN CAB.
 - ZUMMATIC ULLH SEGA BRACKETS FOR SEGA SEATS IN CAB.
 - ZUMMATIC ULLH SEGA BRACKETS FOR SEGA SEATS IN CAB.
 - ELKHART MODEL 40 INTAKE RELIEF VALVE.

CAB

DO NOT CHANGE MANUALLY