

-----SPECIFICATIONS-----
 CHASSIS: KME PREDATOR TILT LFD W/12" RR
 ENGINE: COMINS ISL 400 HP W/JAKE
 TRANSMISSION: ALLISON 3000 EVS 5-SPD AUTO
 FRONT AXLE: DANA EFA20F4 20,000#
 REAR AXLE: DANA 26090S 27,000#
 PUMP: HAILE QMAX-200 2000 SINGLE STAGE
 WATER TANK: 750 GALLON UPF POLY IIR W/40 FOAM

-----COMPARTMENT SIZE-----
 (A) 62"H X 39 3/4"W X 26"D
 (B) 62"H X 52 3/4"W X 26"D
 (C) 29 1/2"H X 56"W X 26"D
 (D) 62"H X 39 3/4"W X 26"/14"D
 (E) 62"H X 52 3/4"W X 26"/14"D
 (F) 29 1/2"H X 56"W X 14"D
 (G) 40"H X 46"W X 30"D

-----DOOR OPENING-----
 (A) 61"H X 36"W
 (B) 61"H X 52"W
 (C) 27 1/2"H X 53"W
 (D) 61"H X 36"W
 (E) 61"H X 52"W
 (F) 27 1/2"H X 53"W
 (G) 39"H LESS LIFT BAR HEIGHT X 45 1/2"W

-----DISCHARGES-----
 (1)(2) 2 1/2" LEFT SIDE
 (2)(1) 2 1/2" & (1) 4" RIGHT SIDE
 (3)(1) 3" REAR, RIGHT SIDE
 (4)(1) 3" DECK GUN
 (5)(1) 1 1/2" FRONT BUMPER
 (6)(2) 1 1/2" FRONT LEFT HOSEBED
 (7)(2) 1 3/4" CROSSLAYS

PLEASE REVIEW AND RETURN
 A SIGNED COPY.

NAME: _____
 TITLE: _____
 DATE: _____
 CUSTOMER PAINT CODES:
 LOWER CAB AND BODY: _____
 CAB TWO TONE: _____

THIS DRAWING IS A GENERAL CONFIGURATION AND MAY NOT
 NECESSARILY REFLECT ALL CONTRACTUAL REQUIREMENTS.

SY#	DATE	REVISION DESCRIPTION	APP'D
C	8-15-05	RENSED TO PRE-COM	JGH
B	7-20-05	REVISED	JGH
A		PROPOSAL	B.C.

SALES ENGINEER : JASON HARTZ

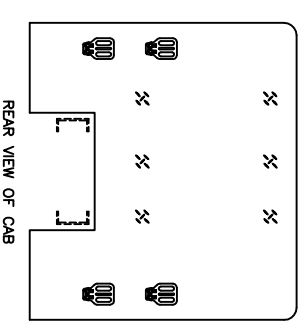
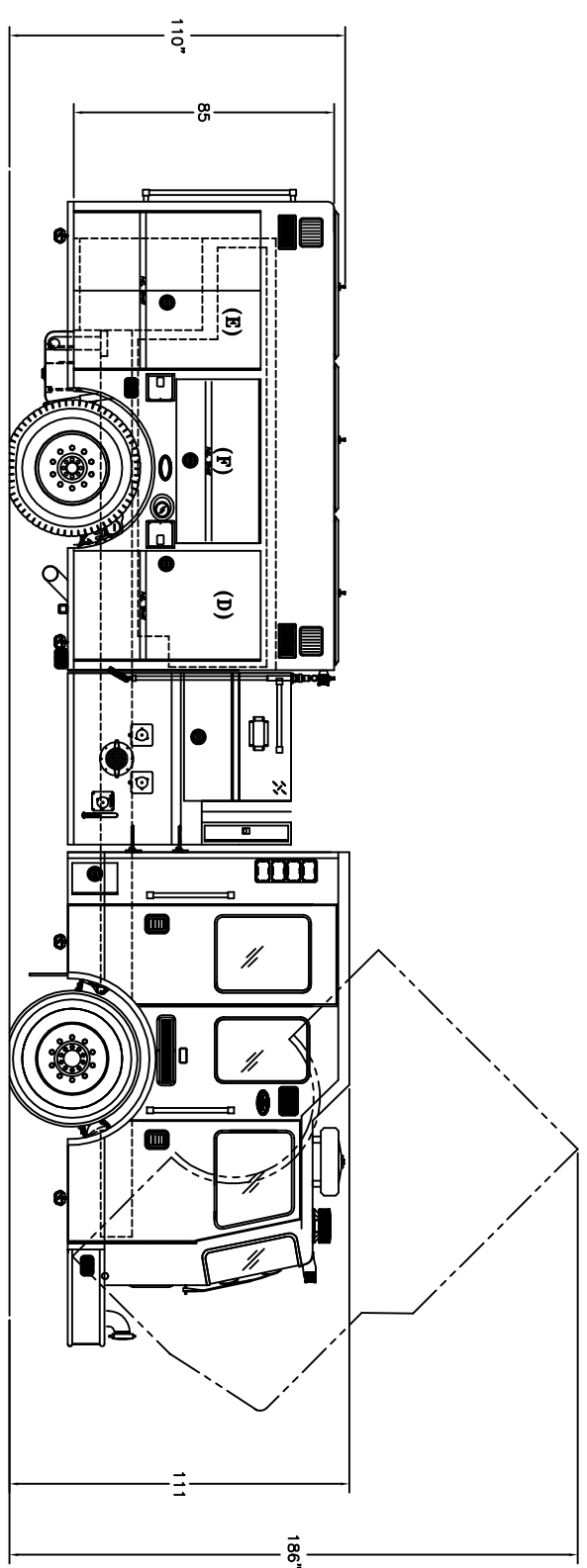
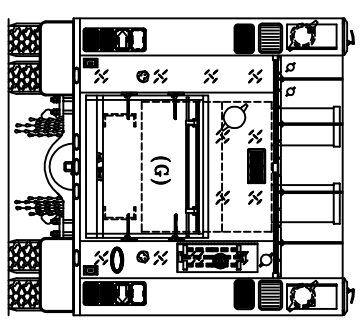
KOVATCH MOBILE EQUIPMENT
 ONE INDUSTRIAL COMPLEX
 RESQUONING, PA 18240

TOLERANCE UNLESS OTHERWISE SPECIFIED
 DECIMALS FRACTIONS: ±1/8
 ONE PLACE ±.06 THREE PLACE ±.01 REMOVE ALL SHARP
 TWO PLACE ±.03 ANGLES: ±2° AND SHARP EDGES

DATE SCALE DRAWN BY APPROVED BY
 ←13-05 NONE J.J.M. J.G.H.

KME CUSTOM PUMPER
WEST END FIRE & RESCUE CO.#3
GSO#6348

DO NOT CHANGE MANUALLY



NOTE:
 1. 3/16" ALUM. BODY.
 2. HOSEBED CAPACITY = 100 CU. FT.
 300" OF 1 3/4"
 500" OF 3"
 250" OF 2"
 3. LOCATE TRI-POD LIGHTS.
 4. (4) WINCH RECEIVER POINTS.

