

-----SPECIFICATIONS-----

CHASSIS: KME PREDATOR TILT XPD W/16" RR
 ENGINE: CAT C-13 470 HP W/JAKE
 TRANSMISSION: ALLISON 4000 EVS 5-SPD AUTO
 FRONT AXLE: MERITOR MFS-20-133A-N 21,480#
 REAR AXLE: MERITOR RS-30-185 31,000#
 PUMP: HAILE QMAX-225 2250 GPM SINGLE STAG
 WATER TANK: 1000 GALLON UPF POLY IIR W/30 FOAM

-----COMPARTMENT SIZE-----

- (A) 62"H X 61 3/4"W X 26"D
- (B) 62"H X 52 3/4"W X 26"D
- (C) 29 1/2"H X 56"W X 26"D
- (D) 29 1/2"H X 56"W X 26"/14"D
- (E) 40"H X 46"W X 42"D
- (F) 62"H X 61 3/4"W X 26"/14"D
- (G) 62"H X 52 3/4"W X 26"/14"D

-----DOOR OPENING-----

- (A) 61"H LESS LIFT BAR HEIGHT X 58"W
- (B) 61"H LESS LIFT BAR HEIGHT X 52"W
- (C) 27 1/2"H LESS LIFT BAR HEIGHT X 53"W
- (D) 27 1/2"H LESS LIFT BAR HEIGHT X 53"W
- (E) 36"H LESS LIFT BAR HEIGHT X 43 3/4"W
- (F) 61"H LESS LIFT BAR HEIGHT X 58"W
- (G) 61"H LESS LIFT BAR HEIGHT X 52"W

-----DISCHARGES-----

- (1)(3) 2 1/2" LEFT SIDE
- (2)(1) 2 1/2" & (2) 4" RIGHT SIDE
- (3)(1) 4" DECK GUN
- (4)(2) 2 1/2" FRONT BUMPER
- (5)(2) 1 3/4" CROSSLAYS
- (6)
- (7)

PLEASE REVIEW AND RETURN
 A SIGNED COPY.

NAME: _____
 TITLE: _____
 DATE: _____

CUSTOMER PAINT CODES:
 LOWER CAB AND BODY: _____
 CAB TWO TONE: _____

THIS DRAWING IS A GENERAL CONFIGURATION AND MAY NOT
 NECESSARILY REFLECT ALL CONTRACTUAL REQUIREMENTS.

D	6-24-05	REUSE TO GSO#	B.C.
C	6-2-05	REUSE PROPOSAL	B.C.
B	1-18-05	REUSE PROPOSAL	B.C.
A		PROPOSAL	B.C.
SWM	DATE	REVISION DESCRIPTION	APP'D

SALES ENGINEER : BRIAN CONNELLY

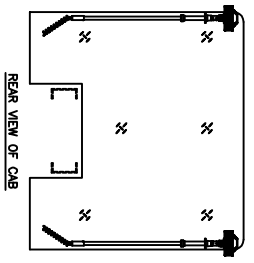
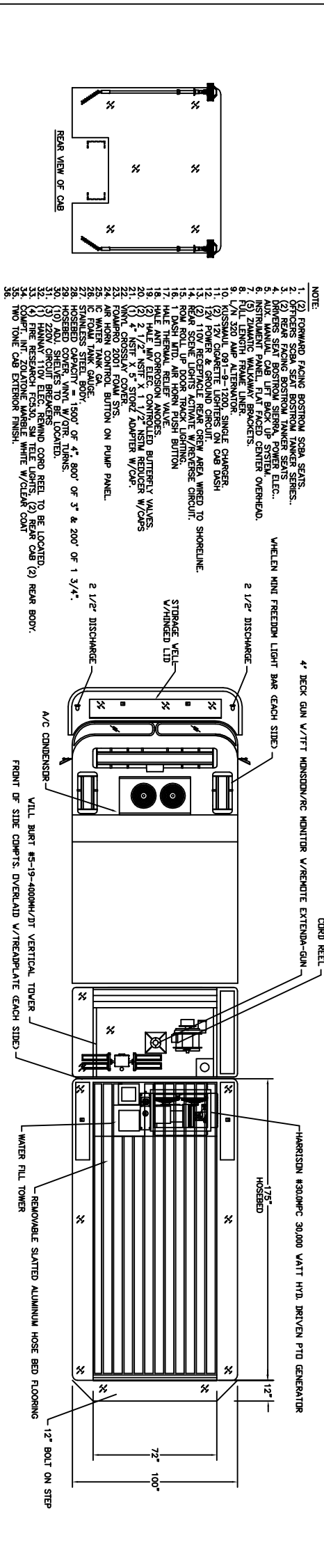
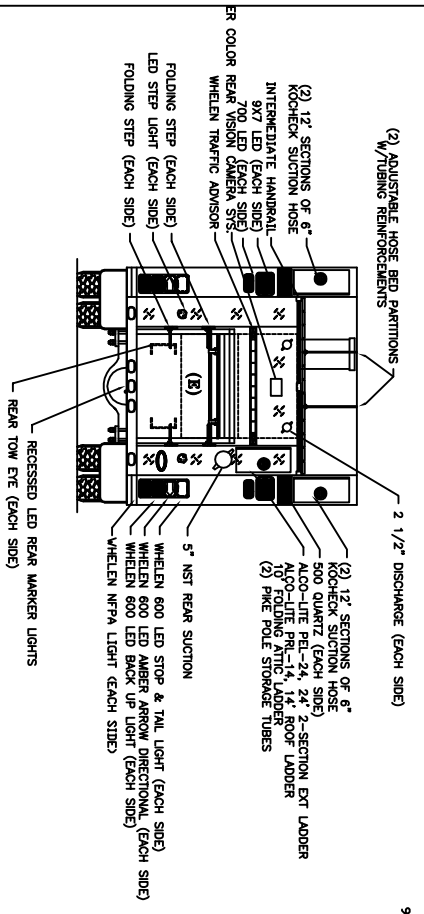
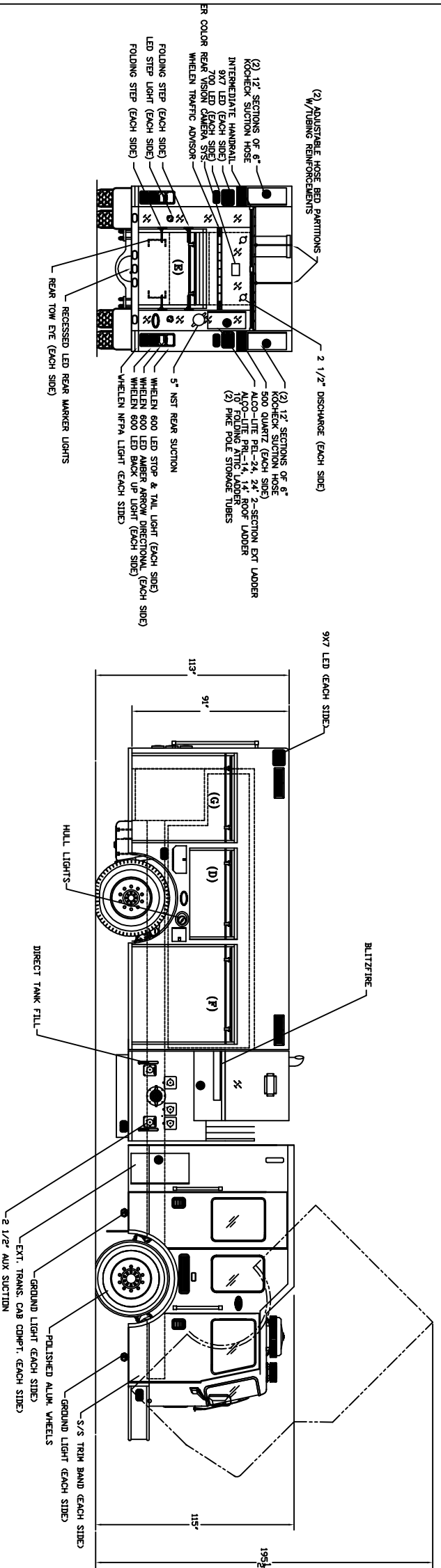
KOVATCH MOBILE EQUIPMENT
 ONE INDUSTRIAL COMPLEX
 RESQUOINING, PA 18240

TOLERANCE UNLESS OTHERWISE SPECIFIED
 DECIMALS THREE PLACE ±.01 FRACTIONS ±1/8
 ONE PLACE ±.06 REMOVE ALL DIMS
 TWO PLACE ±.03 ANGLES ±2 AND SHIP DIMS

SCALE NONE DRAWN BY J.J.M.
 APPROVED BY B.C.

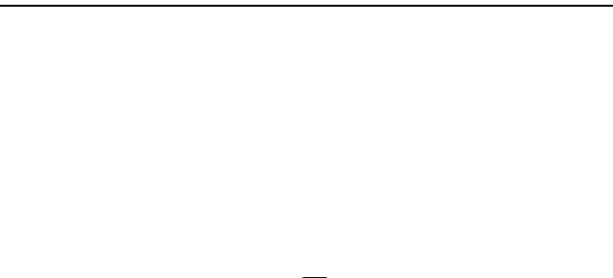
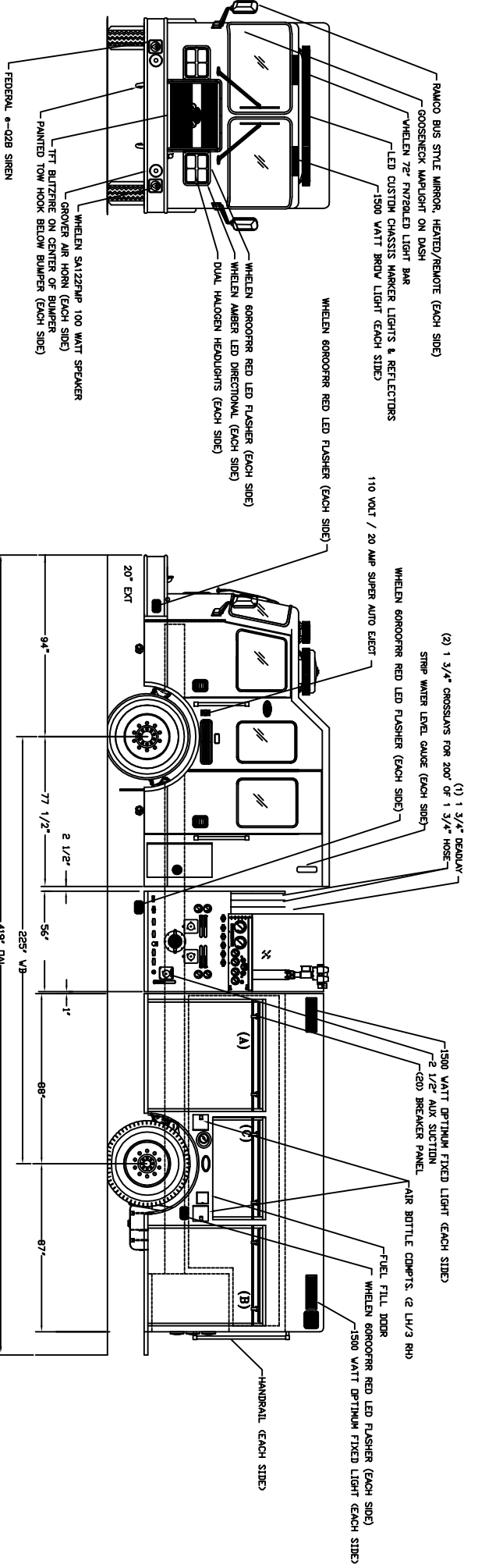
KME CUSTOM PUMPER
 HELLAM FC, PA
 GSO#6336

DO NOT CHANGE MANUALLY



NOTE:

1. (2) FORWARD FACING BOSTROM SGA SEATS.
2. OFFICERS SGA SEAT BOSTROM TANKER SERIES.
3. (2) REAR FACING BOSTROM TANKER SEATS.
4. (2) REAR FACING BOSTROM TANKER SEATS.
5. AUX. MANUAL CAB LIFT BACK UP SYSTEM.
6. INSTRUMENT PANEL, FLAT FACED CENTER OVERHEAD.
7. FLOOR MATS.
8. FLOOR MATS.
9. 1/2\"/>



DO NOT CHANGE MANUALLY