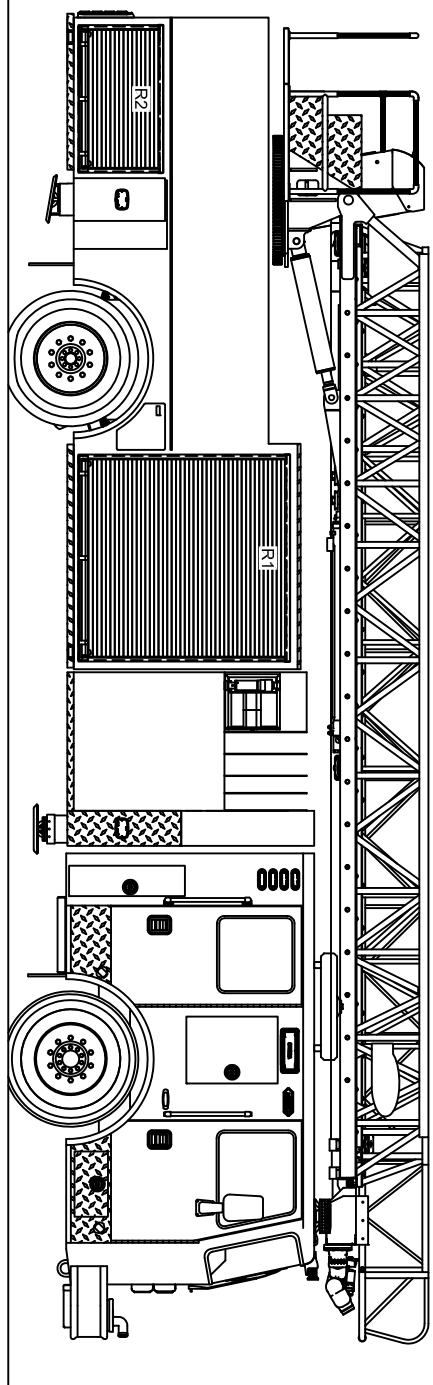
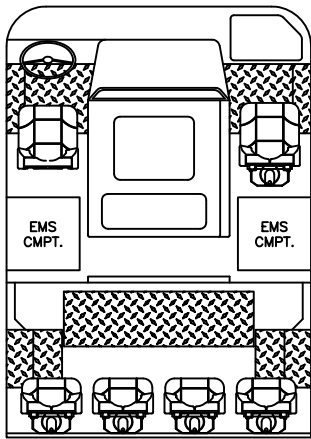


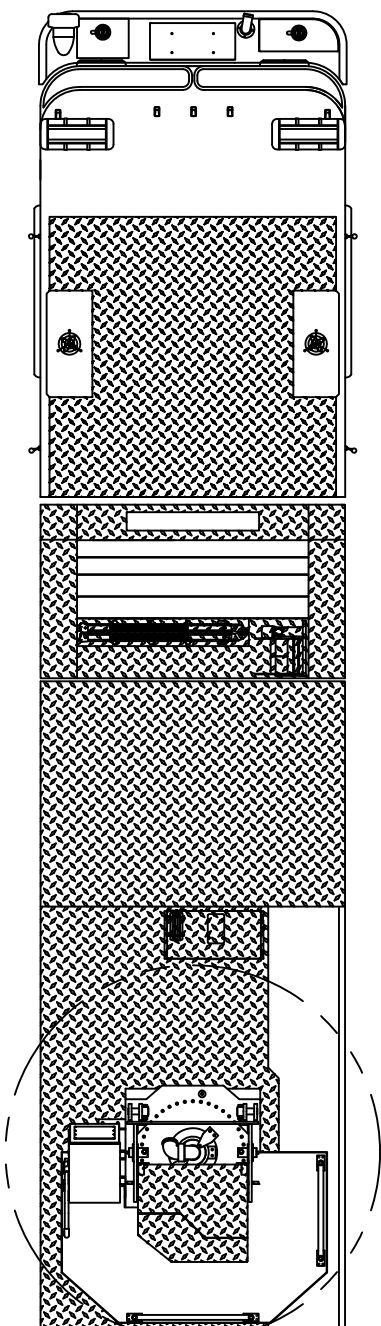
REAR VIEW



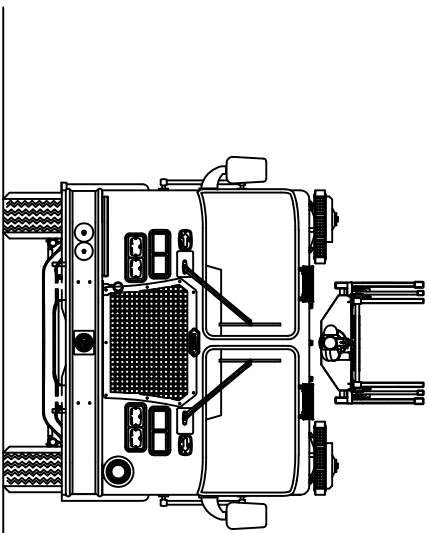
OFFICERS SIDE VIEW



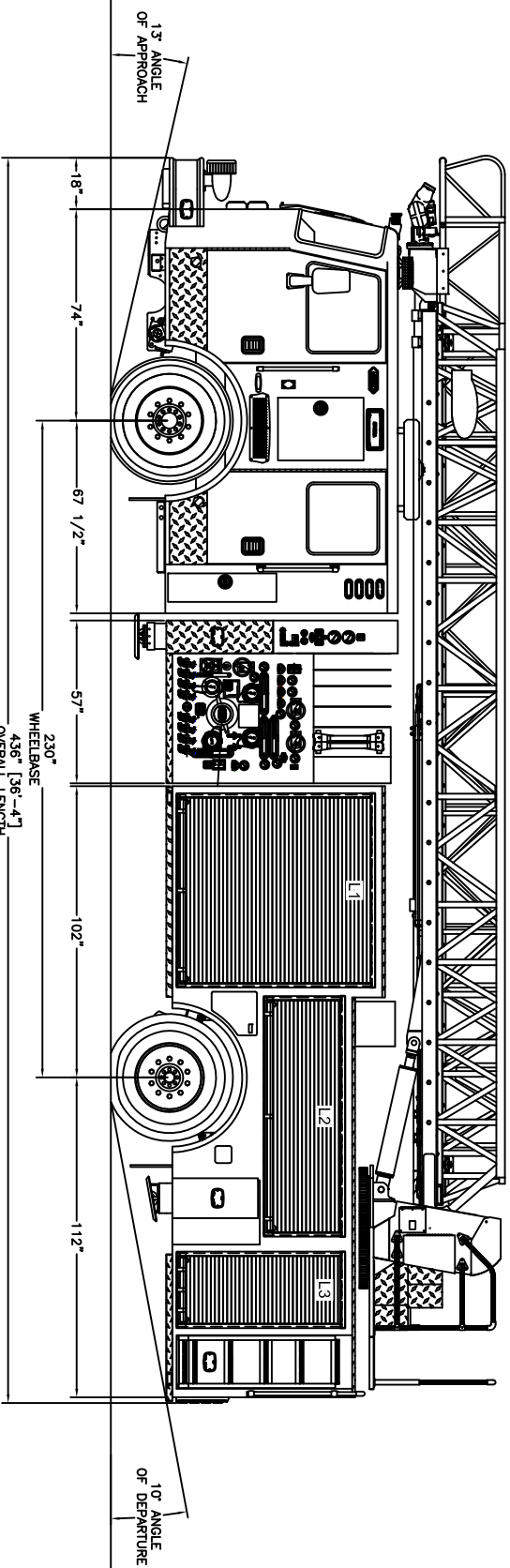
CAB INTERIOR LAYOUT



TOP VIEW



FRONT VIEW



DRIVERS SIDE VIEW

SPECIFICATIONS

CHASSIS: 2010 PREDATOR SEVERE SERVICE LTD
 ENGINE: CUMMINS ISX 500 HP w/ ENGINE BRAKE
 TRANSMISSION: ALLISON 4000EVS 6-SPEED AUTOMATIC
 FRONT AXLE: MERITOR MF3-20-133A-N; #24,000
 REAR AXLE: MERITOR RS-30-185; #34,500
 PUMP: HALE 0-MAX, 1500 GPM SINGLE STAGE
 TANK: 500 GALLON POLYME

COMPARTMENT SIZE

COMP.	DOOR OPENING HEIGHT	DOOR OPENING WIDTH	COMPARTMENT INTERIOR HEIGHT	COMPARTMENT INTERIOR WIDTH	COMPARTMENT INTERIOR DEPTH
L1	68.375"	67"	72.125"	70"	26/14"
L2	27.375"	85.5"	30.875"	93"	23"
L3	57.875"	34.75"	61.825"	37.75"	23"
R1	68.375"	67"	72.125"	70"	26/14"
R2	26.75"	53.75"	30.5"	56.75"	23"

TOTAL STORAGE CAPACITY OF 234 CUBIC FEET

THIS DRAWING IS A GENERAL CONFIGURATION AND MAY NOT NECESSARILY REFLECT ALL CONTRACTUAL OBLIGATIONS. DIMENSIONS ARE APPROXIMATE AND MAY VARY DURING CONSTRUCTION. PLEASE REVIEW AND RETURN A SIGNED COPY.

NAME: _____
 TITLE: _____
 DATE: _____

CUSTOMER PAINT CODES

LOWER CAB AND BODY: RED DHS 927387
 CAB TWO TONE: BLACK DHS 9000
 LADDER: SILVER DHS 36847

COMPARTMENT INTERIOR: TO BE DETERMINED

REV	DATE	FINAL ASSEMBLY	REVISION DESCRIPTION	JIB	APP'D
C	13FEB13				

SALES ENGINEER : JASON BEHLER



KME
 ONE INDUSTRIAL COMPLEX
 NESQUEHONING, PA 18240
 DATE: 29FEB12 SCALE: 3/8"=1' DRAWN BY: JIB
 APPROVED BY: PPH

79' REARMOUNT AERIALCAT LADDER

AERIAL DEMO

GSO #8568

DO NOT CHANGE MANUALLY