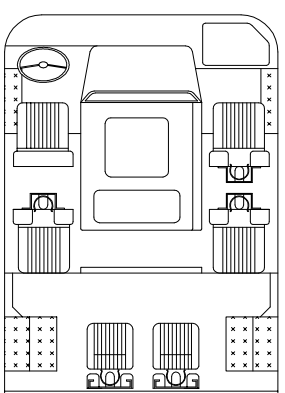
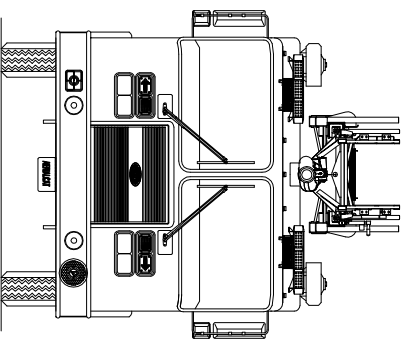


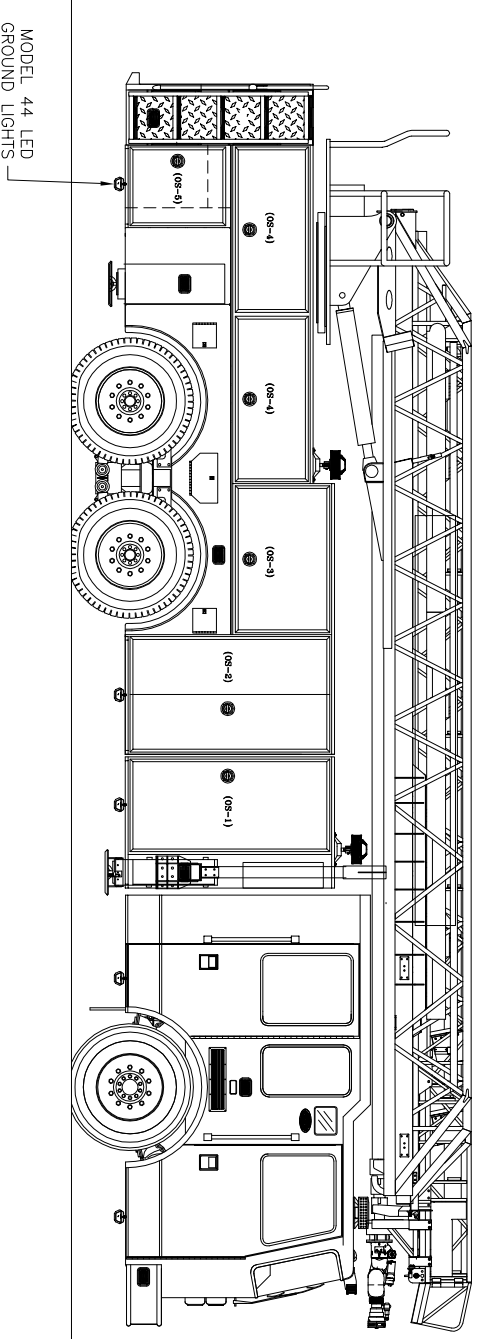
REAR VIEW OF CAB



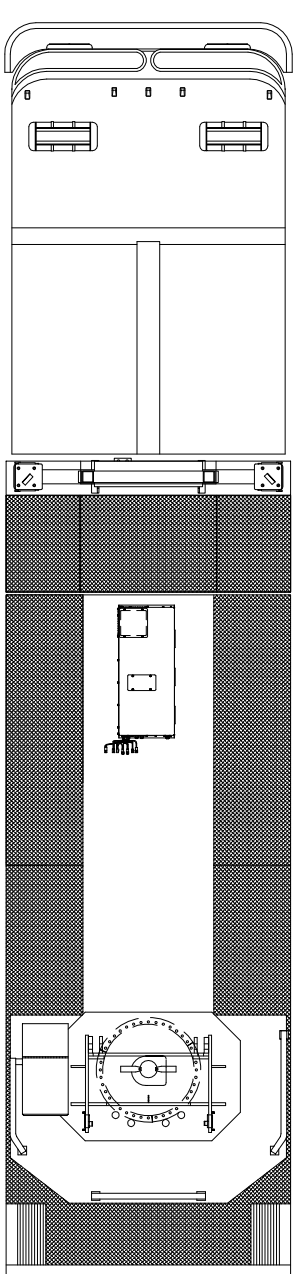
CAB INTERIOR LAYOUT



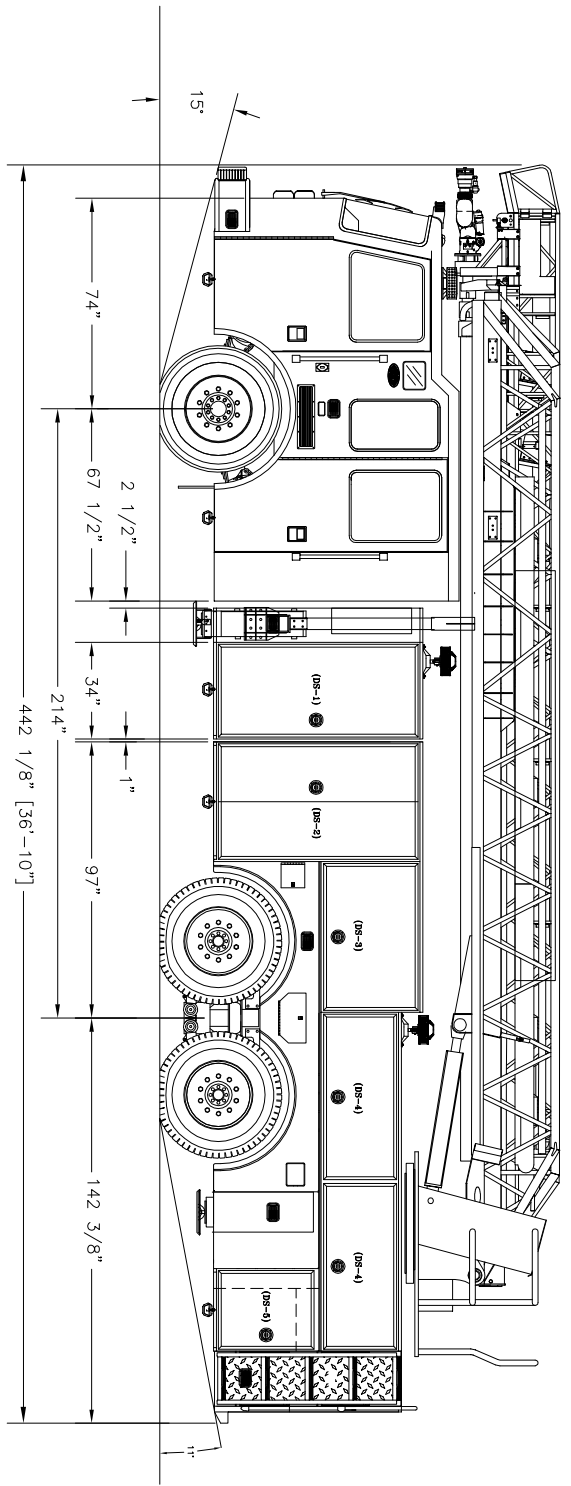
FRONT VIEW



OFFICERS SIDE VIEW



TOP VIEW



DRIVERS SIDE VIEW

SPECIFICATIONS

CHASSIS: PREDATOR LTD w/ 6" RAISED ROOF
 ENGINE: CATERPILLAR C13 525 HP w/ ENGINE BRAKE
 TRANSMISSION: ALLISON 4000EVS 5-SPEED AUTOMATIC
 FRONT AXLE: MERRITOR MFS-20-133A-N, 22,500 LBS.
 REAR AXLE: MERRITOR R1-32-185, 54,000 LBS.
 TANK: N/A

COMPARTMENT SIZE

Ladder	Open (Inches)	Standard Compartment Size (Inches)
(1)	67 1/2 x 30	70 1/2 x 34
(2)	67 1/2 x 30	70 1/2 x 34
(3)	30 1/2 x 48 1/2	30 1/2 x 48 1/2
(4)	54 x 55-1/2	54 x 55-1/2
(5)	51 x 55	51 x 55
(6)	50 x 12	54 x 20

GROUND LADDERS

- ONE (1) ALCO-UTE MODEL PE13-40; 40' ALUMINUM THREE (3) SECTION EXTENSION
- ONE (1) ALCO-UTE MODEL PE13-35; 35' ALUMINUM TWO (2) SECTION EXTENSION/LADDER
- ONE (1) ALCO-UTE MODEL PE128-25; ALUMINUM TWO (2) SECTION EXTENSION/LADDER
- ONE (1) ALCO-UTE MODEL PE1-18; 18' ALUMINUM STRAIGHT ROOF LADDER WITH FOLDING HOOKS
- ONE (1) ALCO-UTE MODEL PE1-14; 14' ALUMINUM STRAIGHT ROOF LADDER WITH FOLDING HOOKS (ONE MOUNTED ON BASE SECTION)
- ONE (1) ALCO-UTE MODEL AE1-14; 14' EXTENDING ALUMINUM ATTIC LADDER
- ONE (1) ALCO-UTE MODEL FL-10; 10' FOLDING ALUMINUM ATTIC LADDER
- ONE (1) LITTLE GIANT MODEL Z2 LADDER SYSTEM (STORED WITHIN COMPARTMENT #1)

NOTES

THIS DRAWING IS A GENERAL CONTOURIZATION AND MAY NOT NECESSARILY REFLECT ALL CONSTRUCTION DIMENSIONS. PLEASE REVIEW AND RETURN A SIGNED COPY.

NAME: _____
 TITLE: _____
 DATE: _____

CUSTOMER PAINT CODES

LOWER CAB AND BODY: RED PPG #701519
 CAB TWO TONE: BLACK PPG #9000
 LADDER: BLACK PPG #9000

COMPARTMENT INTERIOR: 2014-TONE MARBLE
 C 1/09/09 REVISED FOR BODY RELEASE MB
 B 12/11/08 REVISED TO SHOW PRE-CON CHANGES MB
 A 10/21/08 REVISED TO OVF SPEC MB
 REV DATE REVISION DESCRIPTION APP'D

SALES ENGINEER : MARK BOYLE



KME FIRE APPARATUS

ONE INDUSTRIAL COMPLEX
 NESQUEHONING, PA 18240
 DATE 05/19/08 SCALE NONE DRAWN BY: JLB
 APPROVED BY: PPH

100' AERIALCAT REARMOUNT LADDER

TOWNSEND, MA
 GSO #7352

DO NOT CHANGE MANUALLY