

SPECIFICATIONS

CHASSIS: GMC 5500 4X2 2DR
 ENGINE: DURAMAX 6600 300 H.P.
 TRANSMISSION: ALLISON 2200P SERIES
 FRONT AXLE: DANA SPICER DB800-F 8,000#
 REAR AXLE: DANA SPICER 19060S 19,000#
 PUMP: N/A
 WATER TANK: N/A

COMPARTMENT SIZE

(A/E): 66"H x 39 1/4"W x 26"D/TRANSVERSE
 (B/F): 66"H x 38 1/8"W x 26"D
 (C/G): 29 1/2"H x 57 1/2"W x 26"D
 (D/H): 66"H x 47 1/4"W x 26"D

DOOR OPENING

(A/E): 67"H x 36"W
 (B/F): 67"H x 36"W
 (C/G): 30"H x 53"W
 (D/H): 67"H x 46"W

DISCHARGES

PLEASE REVIEW AND RETURN
 A SIGNED COPY.

NAME: _____

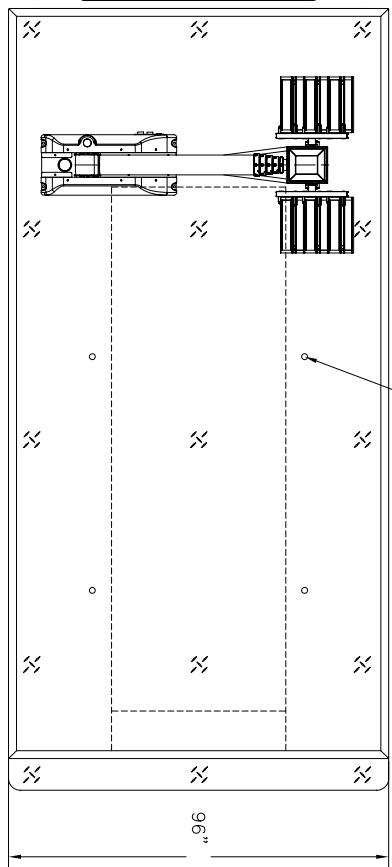
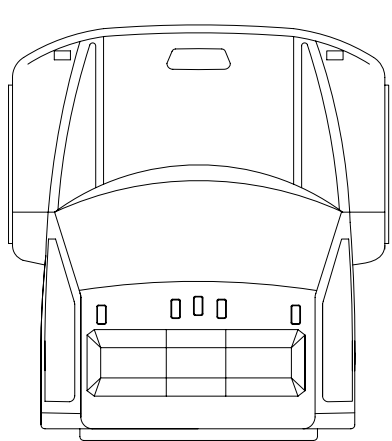
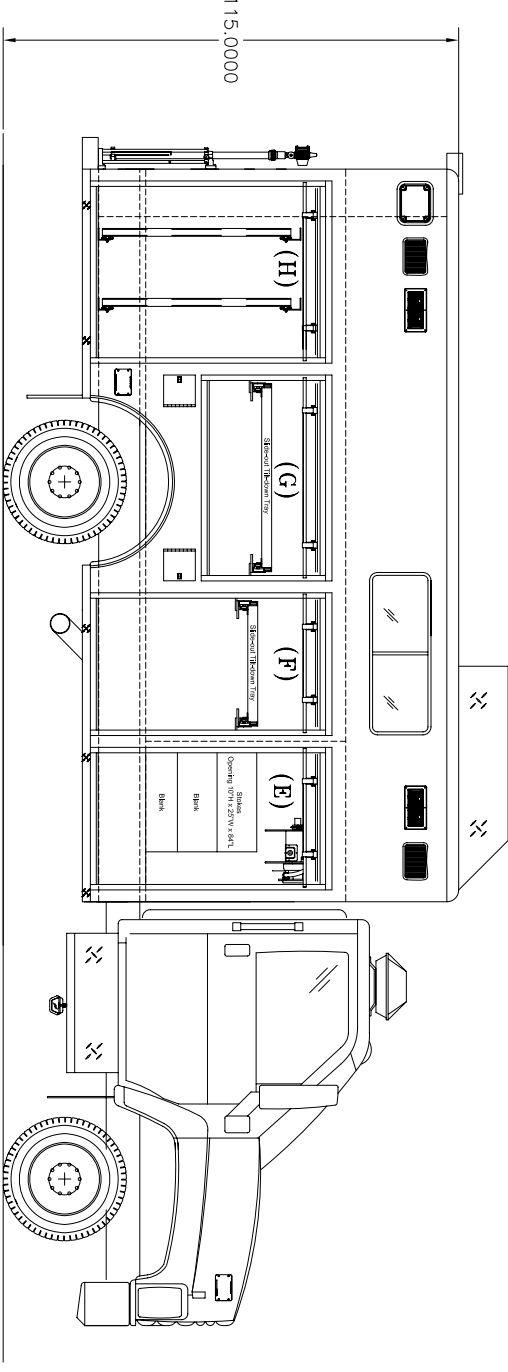
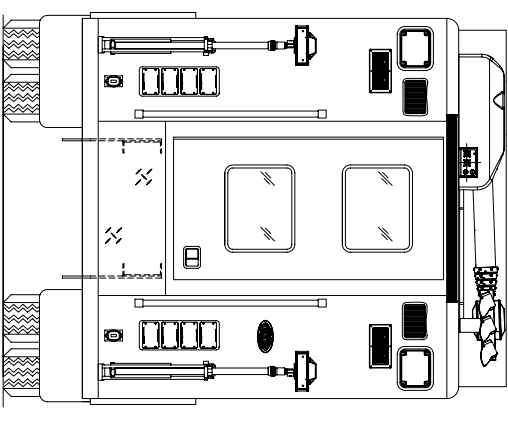
TITLE: _____

DATE: _____

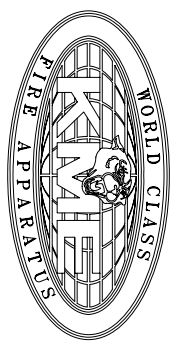
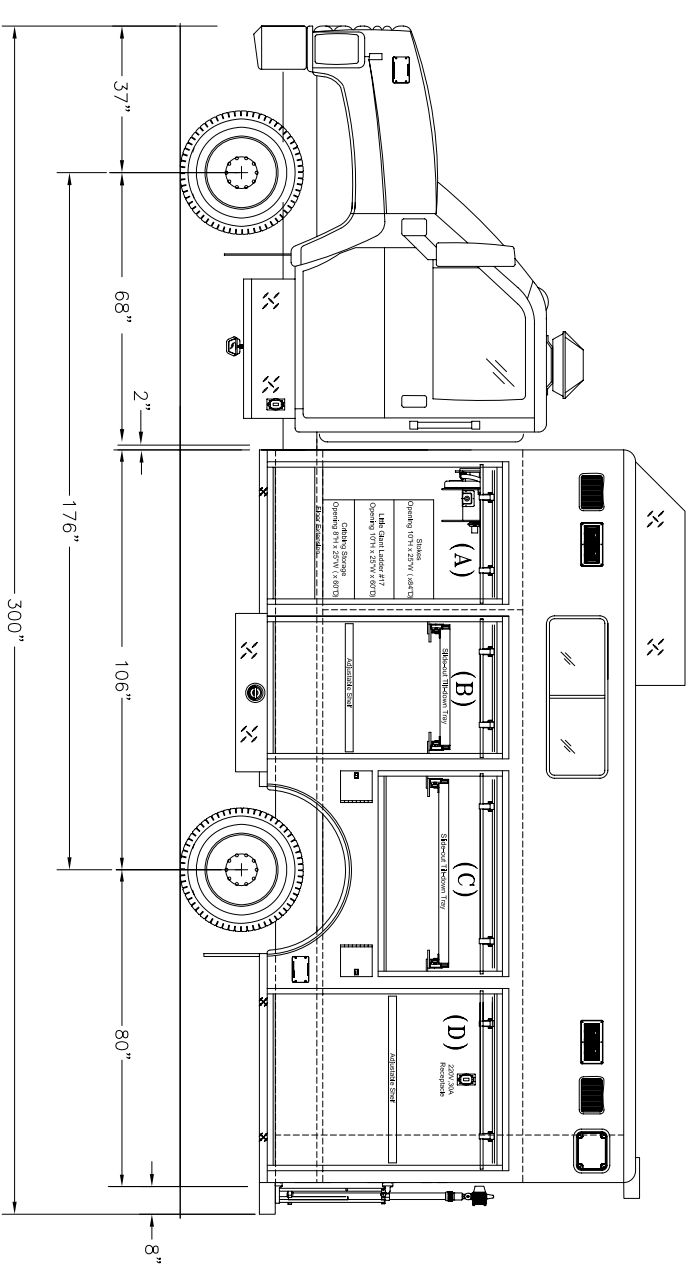
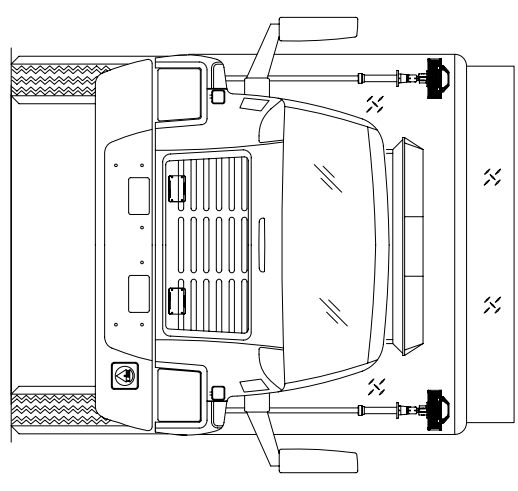
CUSTOMER PAINT CODES:

LOWER CAB AND BODY: PPG RED#4154

CAB TWO TONE: N/A



FOUR (4) ANTENNA MOUNTS



| REV | DATE | DESCRIPTION | BY |
|-----|---------|----------------------|-------|
| C | 12-7-06 | REVISED | AY |
| B | 9-7-06 | REVISED | AY |
| A | | PROPOSAL | AY |
| SNM | DATE | REVISION DESCRIPTION | APP'D |

SALES ENGINEER :
 KOVATCH MOBILE EQUIPMENT
 ONE INDUSTRIAL COMPLEX
 NESHANING, PA 19240

TOLERANCE UNLESS OTHERWISE SPECIFIED
 DECIMALS ± .060 FRACTIONS: ± 1/8"
 ONE PLACE ± .010 REMOVE ALL ZEROS
 TWO PLACE ± .030 ANGLES: ± 2° AND SHARP EDGES

DATE SCALE DRAWN BY APPROVED BY
 1-16-06 NONE JJM AY

KME COMMERCIAL RESCUE

EAST PENN TWP., PA

GSO#6701

CAD

DO NOT CHANGE MANUALLY