

**SPECIFICATIONS**

CHASSIS: FORD F-550 4DR 4X4  
 ENGINE: 6.0L POWERSTROKE DIESEL 325 H.P.  
 TRANSMISSION: 4-SPD AUTO-ELECTRONIC  
 FRONT AXLE: DANA 6,000#  
 REAR AXLE: DANA MODEL 80 13,500#  
 PUMP: MG-500 500 GPM  
 WATER TANK: 300 GALLON UPF POLY IIE

**COMPARTMENT SIZE**

(A/D): 50"H X 31 3/4"W X 24"D  
 (B/E): 50"H X 36 3/4"W X 24"D  
 (C/F): 25"H X 44 1/2"W X 24"D  
 (G): 26"H X 42"W X 24"D

**DOOR OPENING**

(A/D): 51"H X 28"W  
 (B/E): 51"H X 36"W  
 (C/F): 23"H X 40"W  
 (G): 24"H X 37 1/2"W

**DISCHARGES**

(1) 2 1/2" LEFT SIDE (1) 1 1/2" FRONT BUMPER  
 (1) 2 1/2" RIGHT SIDE (1) 2 1/2" HOSEBED, RIGHT SIDE  
 (2) 1 3/4" CROSSLAYS (1) 1 1/2" HOSEBED, LEFT SIDE  
 (1) 1" BOOSTER REEL

**SUCTIONS**

(1) 4" MAIN (EACH SIDE)  
 (1) 2 1/2" AUX. LEFT SIDE

**PLEASE REVIEW AND RETURN  
 A SIGNED COPY.**

NAME: \_\_\_\_\_  
 TITLE: \_\_\_\_\_  
 DATE: \_\_\_\_\_

**CUSTOMER PAINT CODES:**

LOWER CAB AND BODY: \_\_\_\_\_  
 CAB TWO TONE: \_\_\_\_\_

THIS DRAWING IS A GENERAL CONFIGURATION AND MAY NOT  
 NECESSARILY REFLECT ALL CONTRACTUAL REQUIREMENTS.

B	9-23-04	REVISED PROPOSAL	B.C.
A		PROPOSAL	B.C.
SWM	DATE	REVISION DESCRIPTION	APP'D

SALES ENGINEER :

**KOVATCH MOBILE EQUIPMENT**  
 ONE INDUSTRIAL COMPLEX  
 NISQUENONING, PA 18240

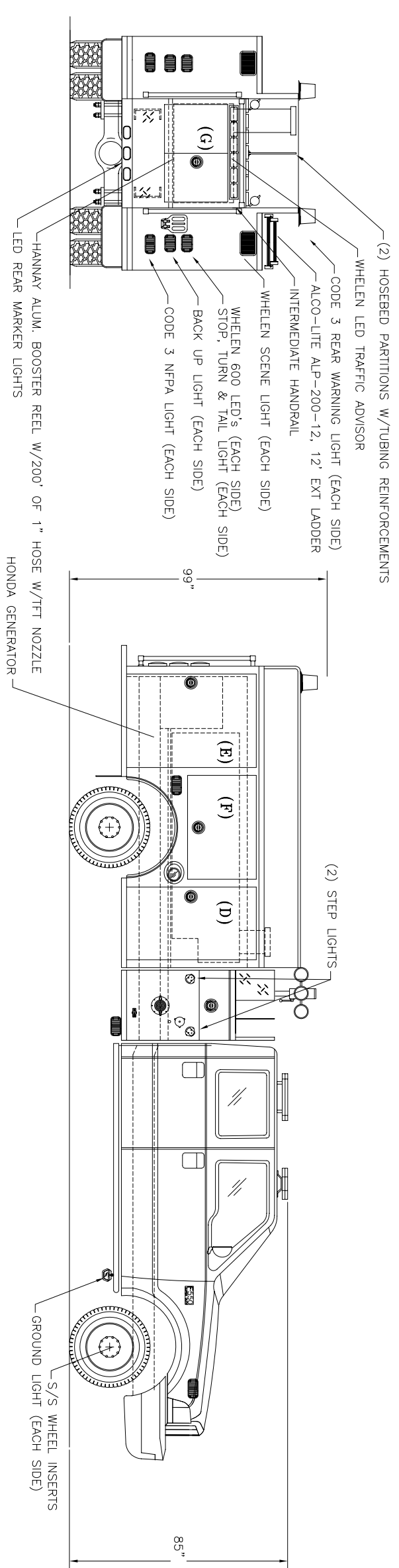
TOLERANCE UNLESS OTHERWISE SPECIFIED  
 DECIMALS FRACTIONS: ±1/8"  
 ONE PLACE: ±.060 THREE PLACE: ±.010 REMOVE ALL BIRDS  
 TWO PLACE: ±.030 ANGLES: ±2° AND SHARP EDGES

DATE: 9-20-04 SCALE: NONE DRAWN BY: JJM

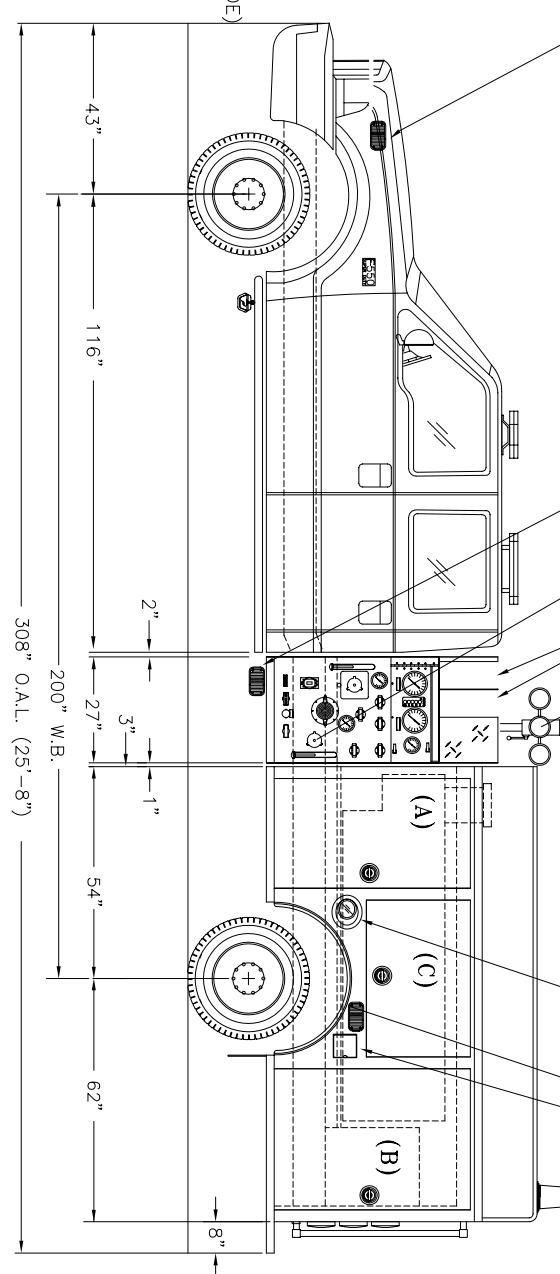
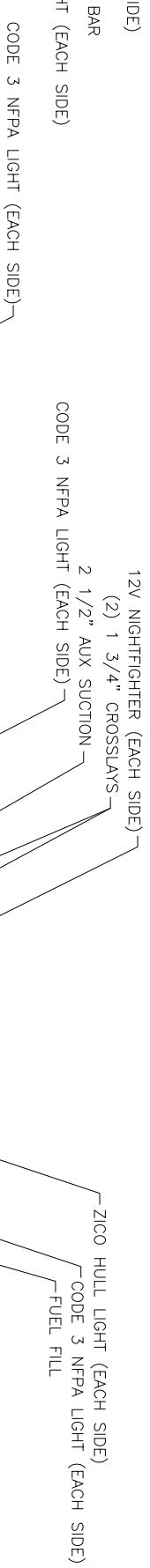
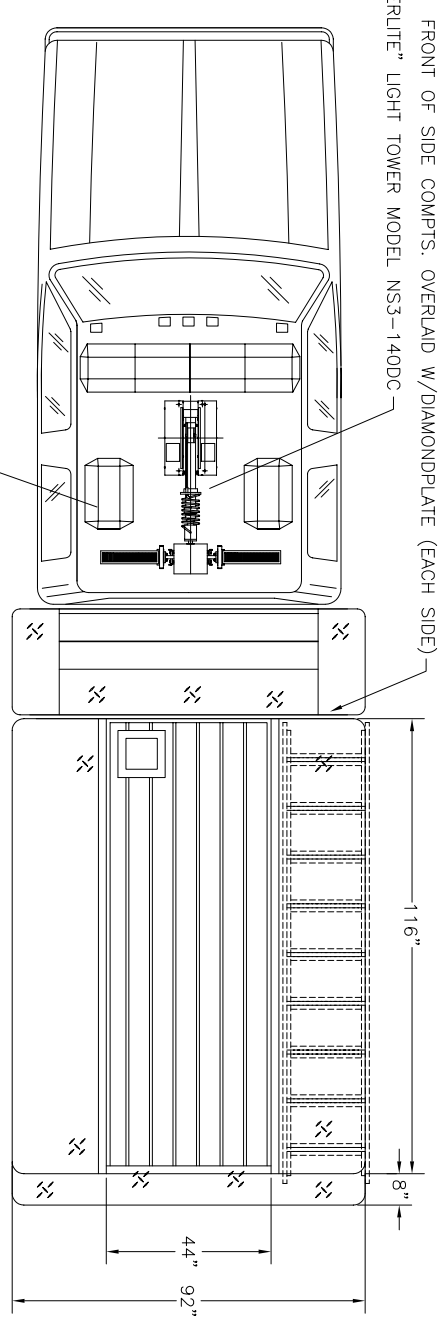
**KME COMMERCIAL 4X4**

**BRENTWOOD VFC, MD**

**PROPOSAL**



- NOTE:
1. FULL LENGTH CAB CONSOLE.
  2. CUSTOMER FURNISHED ANTENNA.
  3. WHELEEN LED STEP LIGHTS.
  4. WHELEEN LED BODY COMPT. LIGHTS.
  5. 3/4" PUMP BT-PASS COOLER, W/VALVE.
  6. SIDE/PUMP PANELS TO BE 1/8" BLACK VINYL CLAD ALUM.
  7. BOLTED ALUM. TRACKING FOR PUMP PANEL TAGS.
  8. THROTTLE CONTROL.
  9. 3/16" ALUM. BODY.
  10. HOSE BED CAPACITY = 10 CU. FT.
  11. HONDA 5,000 WATT PORTABLE GAS GENERATOR
  12. ADDED COMPT. LOUVERS FOR GENERATOR
  13. COMM. CHASSIS KME PAINTED.
  14. LETTERING/PIN STRIPING SINGOLD.



DO NOT CHANGE MANUALLY